

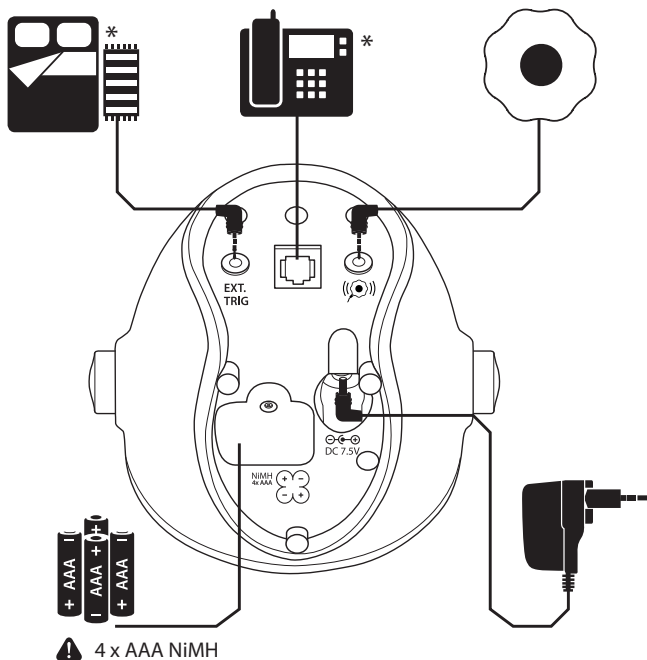
Alarm clock User manual

BE1370 Pro model & BE1350 Classic model

bellman.com

Sluit de wekker aan Connectez le réveil

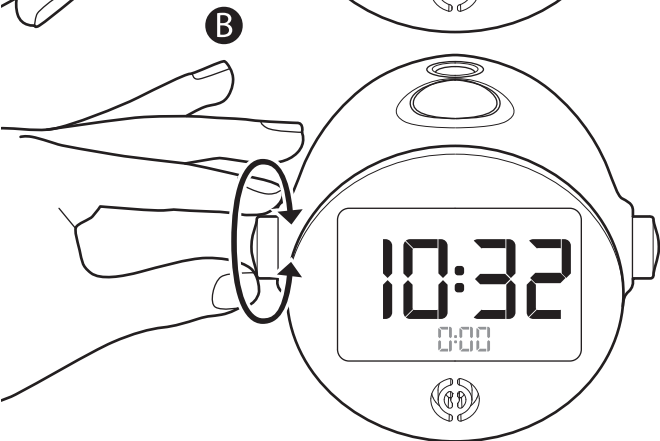
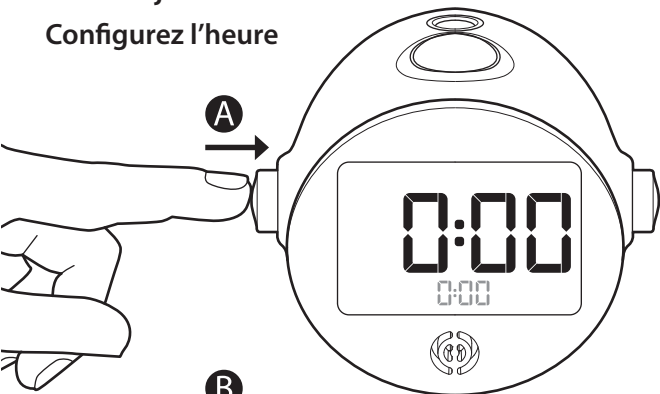
Verbinden Sie den Wecker Connect the alarm clock



* BE1370 Pro model

Stel de tijd in
Configurez l'heure

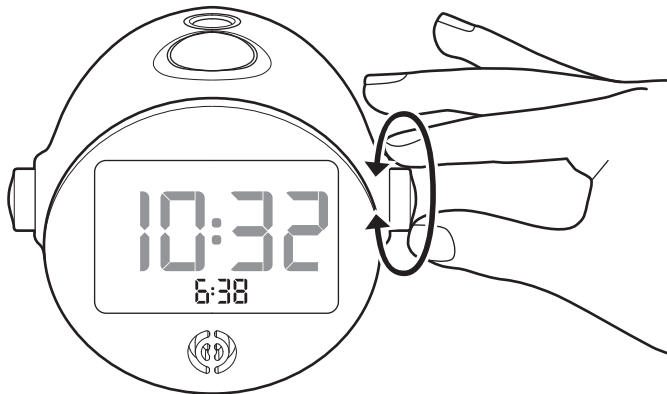
Stellen Sie die Zeit
Set the time



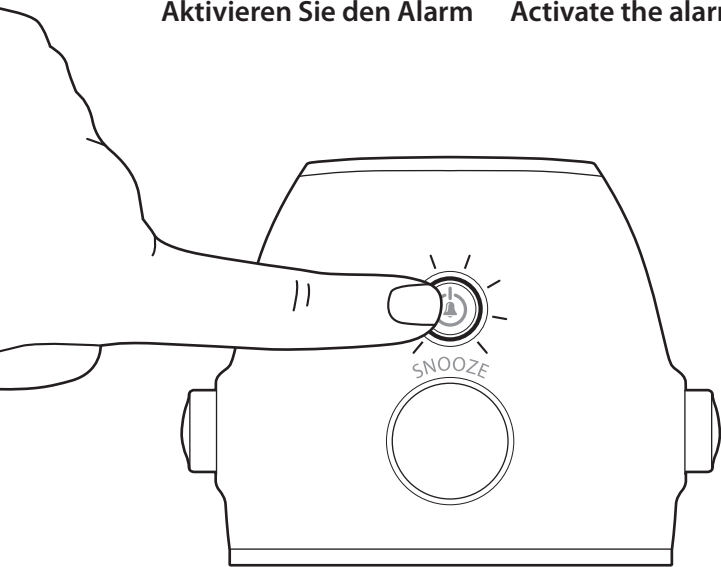
Stel het alarm in
Configurez l'alarme



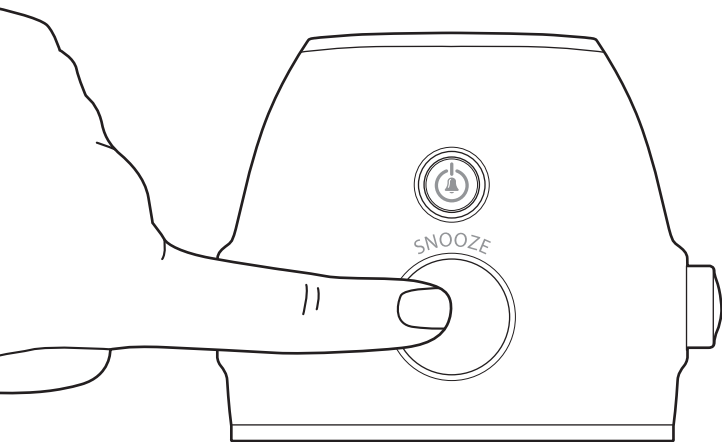
Stellen Sie den Wecker
Set the alarm

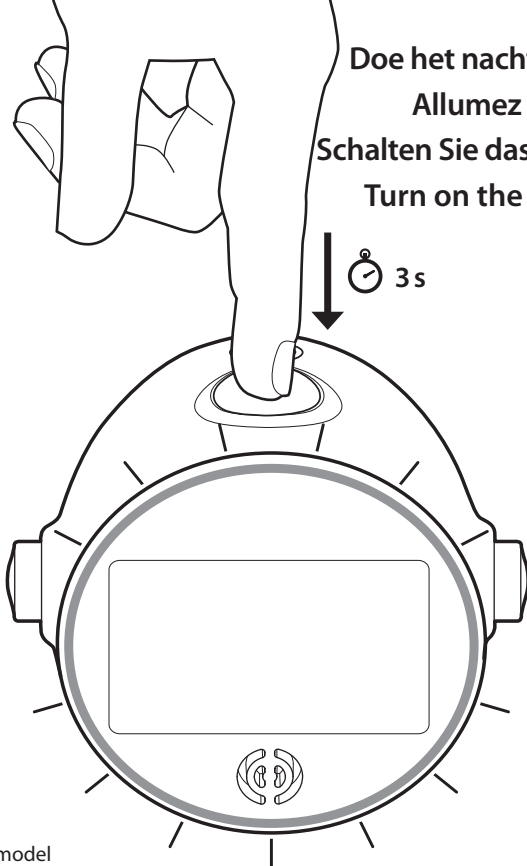


Activeer het alarm Activez l'alarme
Aktivieren Sie den Alarm Activate the alarm



Snooze Répétition Schlummern Snooze





Doe het nachtluchtje aan*

Allumez la veilleuse*

Schalten Sie das Nachtlcht*

Turn on the night light*

* BE1370 Pro model

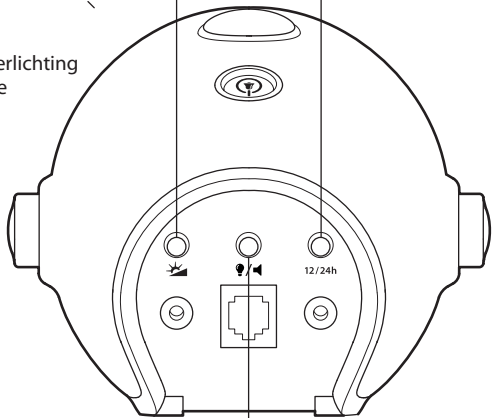
Instellingen Paramètres Einstellungen Settings



Achtergrondverlichting
Rétro-éclairage
Hintergrunds-
beleuchtung
Backlight



24 ↔ 12
Tijdsaanduiding
Format de l'heure
Zeitformat
Time format



Flits *
Flash *
Blitz *
Flash *



Geluid
Son
Klang
Sound



* BE1370 Pro model

Zweckbestimmung des Produktes	Uhr mit Wecker Funktion inkl. Vibrationskissen.
Zulässige Betriebsbedingungen	Das Produkt darf nur Innen verwendet werden
Reinigungshinweise	Nur mit trockenem oder leicht feuchtem Tuch abwischen
Wartungshinweise	Batterie kann ausgetauscht werden. Bei Defekt des Blitzlichtes muss das Gerät eingeschickt werden
Technische Daten	Betrieb mit 7.5V Netzteil inkl. 4 x AAA NiMH (BE1350 Batterien optional) als Reserve bei Stromausfall
Eingänge (nur BE1370)	Externer Trigger und Telefon
Ausgänge	Vibrationskissen
Hinweise zum Wiedereinsatz	Das Produkt ist nicht für den Wiedereinsatz für eine andere Person vorgesehen.

Technical Information

Power supply

Mains power	7.5 VDC, 1000 mA
Battery backup	24 hours during mains power loss
Backup battery charging time	10 hours (from depleted to fully charged) NiMH batteries included, type (BE1370only)

Output signals

Alarm sound	100 dB(A) @ 10 cm, 94 dB(A) @ 30 cm multi-frequency 950-3000 Hz,
Alarm timeout	20 minutes
Snooze time interval	Decreasing from 9 to 2 minutes in 2 minute steps
Flash	4 high-intensity LEDs Warning! Flashes can cause epileptic seizures
Bedshaker	Vibrator power 2.0 – 4.0 VDC Emits a sound (BE1370 only)
Nightlight beacon	Low intensity light that guides you back to bed at night

Display

Type	Twisted Nematic (TN) LCD
Backlight	Intensity adjustable in 5 steps, Backlight timeout: 8 seconds

Controls and inputs

- Separate push-rotate dials for setting time and alarm
- 12/24-h mode switch
- Backlight intensity switch
- Flash/Sound select switch
- Snooze button
- Alarm on off switch
- Telephone input, RJ-11, analogue, 26-120 VRMS, 15-100 Hz
- External Trigger input, 3.5 mm tele connector

Additional information

- For indoor use only
- Dimensions: 108x 121x 92 mm
- Weight: 390g (batteries incl.)
- Color: White



For use in all EU countries

Hereby, Bellman & Symfon AB, declares that this Alarm Clock is in compliance with the essential requirements and other relevant provisions of directives: R&TTE 1999/5/EC, LVD 2006/95/EC, EMC 2004/108/EC, MDD 1993/42/EEC.

Correct use and disposal of batteries:

Replace only with the same or equivalent type recommended by the manufacturer. Please dispose of old, defective batteries in an environmentally friendly manner in accordance with the relevant legislation.

For a complete Declaration of Conformity please contact info@bellman.se or call +46 31 68 28 20

FCC compliance statement

REN: 0.1B
US: 1PNRG01BBERXTE1

This device complies with Part 15 of the FCC Rules. Operation is subject to the following two conditions: (1) this device may not cause harmful interference, and (2) this device must accept any interference received, including interference that may cause undesired operation.



Warning: Changes or modifications to this unit not expressly approved by the party responsible for compliance could void the user's authority to operate the equipment.



Note: This equipment has been tested and found to comply with the limits for a Class B digital device, pursuant to Part 15 of the FCC Rules. These limits are designed to provide reasonable protection against harmful interference in a residential installation. This equipment generates, uses and can radiate radio frequency energy and, if not installed and used in accordance with the instructions, may cause harmful interference to radio communications. However, there is no guarantee that interference will not occur in a particular installation. If this equipment does cause harmful interference to radio or television reception, which can be determined by turning the equipment off and on, the user is encouraged to try to correct the interference by one or more of the following measures:

European office

Bellman & Symfon Europe AB
Södra Långebergsgatan 30
421 32 Västra Frölunda
Sweden
Phone +46 31 68 28 20
Fax +46 31 68 28 90
E-mail info@bellman.com

Asia Pacific office

Bellman & Symfon Asia Ltd.
1115-16, Main Tower, GD Int'l Hotel
339 Huanshi Dong Rd
Guangzhou, China, 510095
Phone +86 20 8318 2950
Fax +86 20 8333 5528
E-mail info.cn@bellman.com

- Reorient or relocate the receiving antenna.
- Increase the separation between the equipment and receiver.
- Connect the equipment into an outlet on a circuit different from that to which the receiver is connected.
- Consult the dealer or an experienced radio/TV technician for help.



Statement for Industry Canada

Le fonctionnement de cet équipement est soumis aux conditions suivantes:

(1) l'équipement concerné ne doit pas causer d'interférences, et (2) il doit accepter toute interférence reçue, y compris les interférences risquant d'engendrer un fonctionnement indésirable. Cet appareil numérique de la classe B est conforme à la norme NMB-003 du Canada. This Class B digital apparatus complies with Canadian ICES-003.

Important safety instructions

- To disconnect the power fully, the AC/DC adapter plug must be disconnected from the mains socket.
- The AC/DC adapter plug must not be blocked and must be easy to access for the intended use.
- The marking information is located at the bottom of apparatus.
- Please contact service personnel for changing batteries.
Replace batteries with the same battery type "Bellman & Symfon, EVE43AAA600P/J, Rating: 1.2V 600mAh NiMH".

DESIGN FOR EARS™